

GS1-100

PRODUCT SPECIFICATIONS



GAS/ODOR FILTRATION SYSTEM

Eliminates Noxious, Toxic Gases and Odors

Industrial Applications

- Inkjet Printing
- Laboratory
- Gluing Stations
- Solvents
- Chemical Baths

Commercial Applications

- Copier/Printing Rooms
- Photography Labs
- Nail Salons
- Conference Rooms
- Smoking Areas

Adsorbent Cells

- Comprehensive selection of media enclosed in a light-weight, disposable shell

Digital Controls

- Electronic variable speed blower control
- Calibrated electronic VOC /gas sensor w/display
- Electronic relays for remote start/stop and filter monitoring

Technical Support

- Computer-generated media selection and service life analysis

Quiet, Powerful Blower

- Centrifugal, direct-drive brushless, no lube

Welded Steel Cabinet

- For ducted or ambient use

Optional Accessories

- State-of-the-art articulating arms and a wide selection of hoods and flex hoses for source-capture use



The complete odor & gas elimination system - nothing else to buy, just unpack, plug-in, switch on. Provides high-efficiency, continuous-duty odor & gas control in a compact package.

FUMEX®... your guarantee to safety reliability, flexibility and ease of operation.

GS1-100

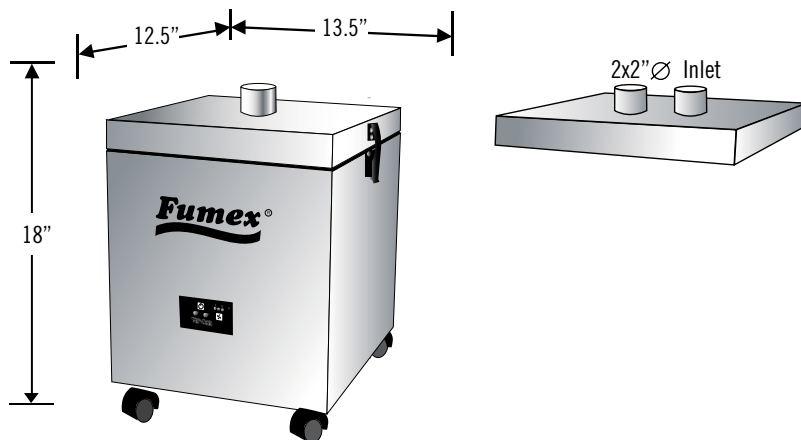
PRODUCT SPECIFICATIONS



TECH DATA GS1-100

For light flows of gas & odor

DIMENSIONS - INCHES



GS1-100 Specifications

Construction:

Cabinet: 16 ga . welded steel, powdercoat finish
 Baffled – sound attenuated
 Sound Level: 59 dbA
 Weight: 45 lbs

Blowers:

Performance: 100 cfm @ 4" wc
 Centrifugal - direct-drive, brushless motor
 20,000 + mtbf

Electrics/Controls:

120/1/50-60 or 230/1/50-60
 Pre-wired 3 wire power cable, 7.5 ft (2.3m) w/plug
 Digital Controls

- Electronic variable speed blower control
- Calibrated electronic VOC /gas sensor w/display
- Electronic relays for remote start/stop and filter monitoring

 Amp Draw: 6.0 / 4.0

Standard Equipment

1 x 3" or 2 x 2" air inlet
 5 ft. 2-ply rubber hose, smooth core
 2"/51mm or 3"/76mm inside diameter w/hose clamps
 (4) Industrial grade wheels
 Installation guide / Operations manual

Standard Filter Set

Adsorbent Cell: Large capacity gas/odor filter

Options:

- High efficiency hoods
- Optional piped exhaust
- Gas-specific adsorbent cells

FUMEX ACCESSORIES

Articulating Source - Capture Arms



Source Capture Hoods

