

FA2 Series

PRODUCT SPECIFICATIONS



AIR FILTRATION SYSTEM

Eliminates process dust, gas and odor

Applications include:

- Laser Fume Extraction
- Dust collection
- Fume Hoods / Laboratory
- Soldering
- Engraving
- Grinding
- Drilling

Large capacity multi - stage filtration

- Inexpensive large capacity pre-filter
- Large capacity HEPA filter
- High efficiency gas/odor filters featuring "dustless" bonded carbon technology

Modular filter system allows for easy application-specific configuration

Digital Controls

- High visibility graphic filter monitoring
- Variable speed blower
- Calibrated electronic VOC /gas sensor with display
- Electronics I/O for remote start/stop and filter monitoring

Quiet, Powerful Blower

- Centrifugal, direct-drive brushless, no lube bearings

Optional Accessories

- State-of-the-art articulating arms and a wide selection of hoods and flex hoses for source-capture use

FUMEX® ... your guarantee of safety, reliability, flexibility and ease of operation.



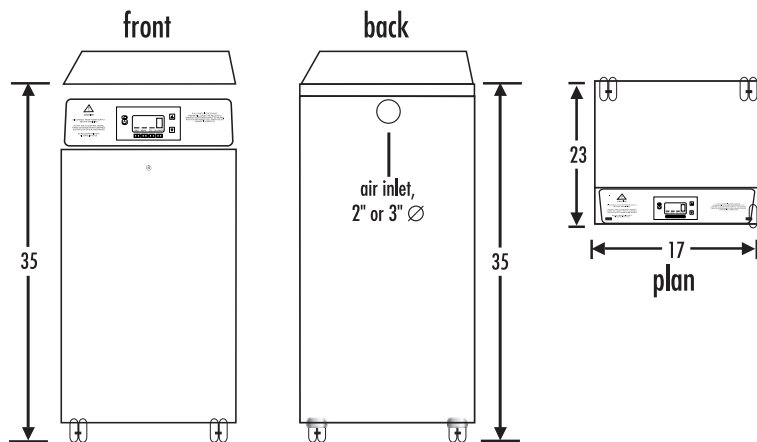
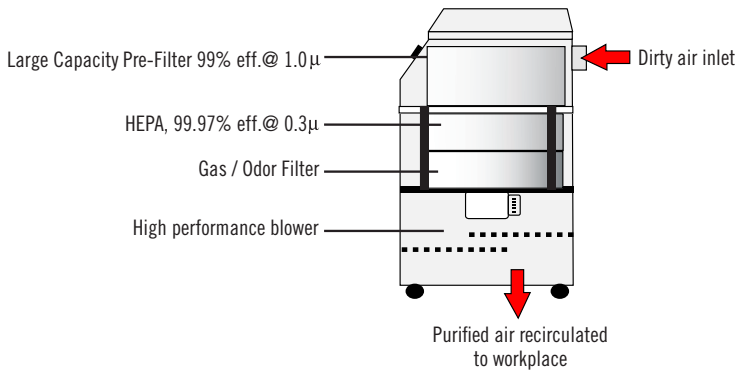
FA2 Series

PRODUCT SPECIFICATIONS



TECH DATA FA2 Series

Eliminates process dust, gas and odor



FA2 Series Specifications

Construction:

Cabinet: 304 grade brushed stainless steel to IP56 compliance
 Baffled – sound attenuated
 Sound Level: 60 dbA
 Weight: 101 lbs / 46 kg
 Blower:
 210 cfm @ 39" wc (357 m3/hr @ 9686 Pa)
 Centrifugal - direct-drive, brushless motor

Electrics/Controls:

120/1/50-60 or 230/1/50-60
 Pre-wired 3 wire power cable, 7.5 ft (2.3m) w/plug
 Digital Graphic Display

- Electronic variable speed blower control
- Electronic individual filter monitoring w/ display
- Calibrated electronic VOC /gas sensor
- Electronic relays for remote start/stop and filter monitoring

Amp Draw: 12.0 / 7.5

Standard Equipment

UL and CE listed compliance
 Standard Filter Set
 8 ft. /2.5m 2-ply rubber hose, smooth core
 2"/51mm or 3"/76mm inside diameter w/hose clamps
 Digital graphic controls
 (4) Industrial grade wheels – 2 locking
 Installation guide / Operations manual

Standard Filter Set

Pre-Filter

- Large capacity - 99% efficient @ 1 micron
- Deep-pleated dimpled media maximizes filter loading
- Unique construction eliminates filter "blinding"
- Clean design limits operator exposure to particulates during filter changes

HEPA Filter

- 99.97% efficient @ .3micron
- Large capacity mini-pleat construction

Gas/Odor Filter

- Blended media allows for broad spectrum gas/odor control
- Improved bonded carbon technology maximizes one pass efficiency
- Dustless construction suitable for all environments
- 100 % recyclable construction

Options:

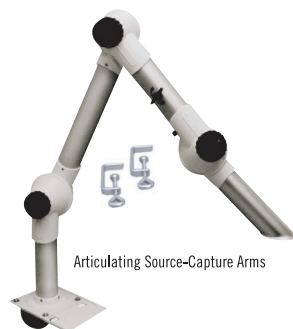
PVC option:

- Epoxy coating on all internal cabinet components
- HCL gas specific electronic sensor
- AcideX gas neutralizing adsorbent cell

High efficiency hoods
 Optional ducted exhaust
 Gas-specific filters

FUMEX ACCESSORIES

Articulating Source - Capture Arms



Articulating Source-Capture Arms

Source Capture Hoods



Rectangular Hood
 4" x 1" x 2" Ø Hose



High Efficiency Aluminum Hoods
 1", 2" Ø or 3" Ø Hoses



Flexible Rubber Hoses
 2" Ø, 3" Ø



Bench-Mounted Metal Hood
 12" x 5" x 5" x 2" Ø Hose