

The **Fumex FA5 fume extractor** utilizes a high performance 3 stage hybrid air filter system to capture and treat air pollutants generated during application processes. The FA5 unit comes with either a single blower motor (**FA5-1 @ 305 cfm**) or with a double blower motor system (**FA5-2 @450 cfm**). Operator friendly digital controls and integrated electronic gas sensor continuously monitor the system performance and display operating parameters on the high-visibility LED screen. Large capacity inexpensive pre-filters extend filter change intervals and protects the large HEPA filter and gas/odor filter offering an extremely cost-effective, efficient laser engraver fume extractor system. High performance variable speed blower provides maximum application flexibility. Ideal for medium to heavy duty fume extracting applications.

- Laser Cutting
  - 3D Printing
  - Pharmaceutical & Medical
- Electronic Soldering
  - Mechanical Engineering
  - Beauty
- Laser Printing
  - Dental Lab
  - And Many More



**CONSTRUCTION:**

- Cabinet: 304 grade Brushed stainless steel to IP56 compliance
- Baffled – sound attenuated
- Sound Level: 59 dbA
- Weight: 135 lb / 61.3 kg.

**BLOWERS:**

- Performance: **210 cfm @39" wc or 385 @ 39" wc**
- Variable speed blower
- Centrifugal - direct-drive, brushless motor
- Rated 20,000 hour + mtbf

**ELECTRIC / CONTROLS:**

- Performance: **305 cfm @ 39" wc FA5-1 or 450 cfm @ 39" wc FA5-2**
- Digital display with variable speed blower
- Pre-wired 3 wire power cable, 7.5 ft. with plug
- Digital Controls
  - Electronic variable speed blower control
  - Electronic individual filter monitoring with display
- Calibrated electronic VOC gas sensor
- Electronic digital interface relay for filter monitoring
- Amp Draw: 15.0 (120v) / 12 (240v)

**STANDARD EQUIPMENT:**

- UL, ULC and CE/TUV compliance available
- 8 ft. 2-ply ribbed rubber hose
- **2", 3" or 6" inlet** diameter hose options w/clamps
- Digital graphic controls
- (4) Industrial grade wheels - two locking
- Installation guide / Operations manual

**STANDARD FILTER SET:**

- 9" - Pre-Filters:
  - Approx – 95 sq feet of media
  - Deep-pleated dimpled media
  - Inner and outer pleat lock
- 4" - HEPA Filter:
  - 99.97% efficient @ 0.3 micron
- 4" - Gas / Odor Filter:
  - 25 lbs of media
  - Bonded carbon technology
  - Broad spectrum gas/odor control
  - Galvanized steel frame

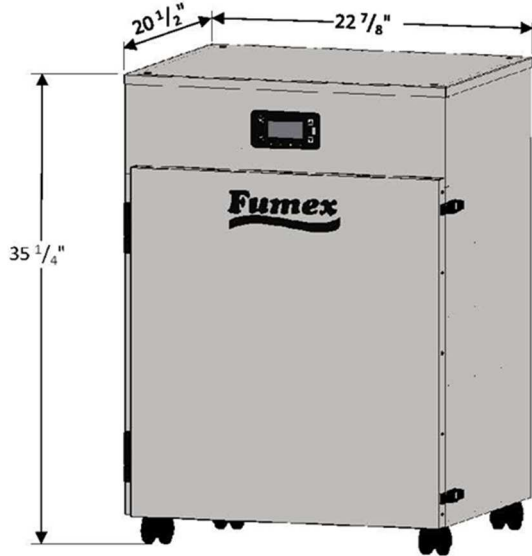


MADE IN THE USA

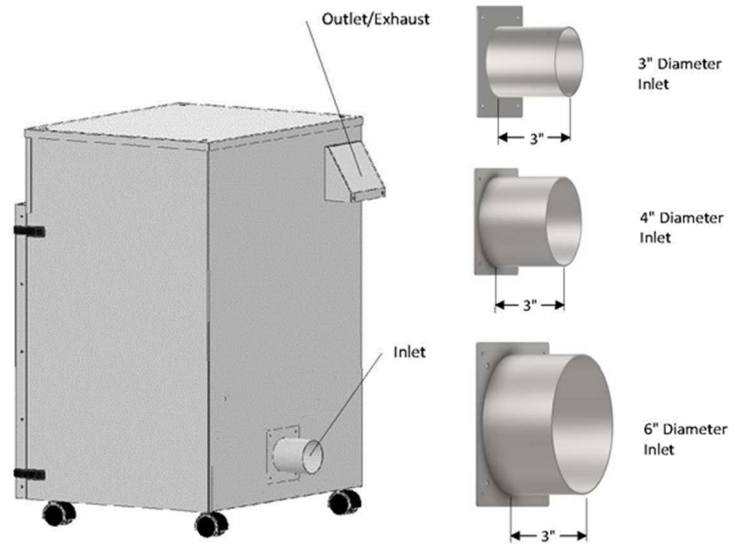
**FUMEX**  
1150 Cobb International Place  
Kennesaw, GA 30152  
800-432-7550 | 770-514-7907

ADDITIONAL TECHNICAL DATA

**DIMENSIONS**



**INLET OPTIONS**



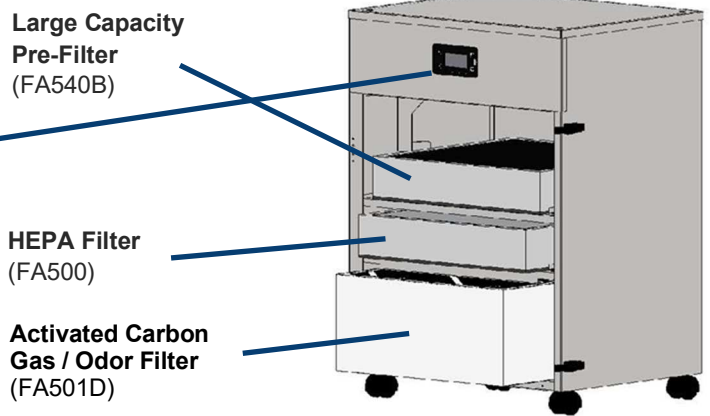
**DIGITAL CONTROLS**



- **OSHA compliance** programmable via USB port pressure set points, blower speeds, and VOC detection

- **High visibility Graphic display** indicating blower speed, filter, and unit system status
- **System Data logging:** monitoring blower usage, filter service intervals accessed by USB port

**FUMEX FILTER SYSTEM**



- **Large Capacity Pre-Filter (FA540B)**
- **HEPA Filter (FA500)**
- **Activated Carbon Gas / Odor Filter (FA501D)**

**OPTIONAL CAPTURE ARMS & HOODS**



**SPECIALIZED APPLICATION ACCESSORIES**

