

The **GS1-100 Fumes Extractor** manufactured by Fumex, utilizes a powerful high-performance blower, user friendly digital controls, an integrated gas sensor and a large capacity filter, to effectively capture and eliminate plastic fumes, chemical fumes, odors, and gaseous contaminants. System can be fitted with a large variety of broad spectrum or chemical specific filters. Applications include inkjet fume removal, gluing stations, solvent fume removal, chemical baths, and laboratory use. Powerful, quiet fume extraction and a small footprint allows for easy integration into most work environments.

- Inkjet Printing
  - 3D Printing
  - Solvents
- Gluing Stations
  - Copier | Printing Rooms
  - Chemical Baths
- Laboratory
  - Photography Labs
  - Beauty | Nail Salons



**CONSTRUCTION:**

- Cabinet: 16 ga. welded steel, powder coat finish
- Baffled – sound attenuated
- Sound Level: 59 dbA
- Weight: 65 lbs. / 29.5 kg.

**BLOWERS:**

- Performance: **165 cfm @ 19" wc**
- Variable speed blower
- Centrifugal - direct-drive, brushless motor
- Rated 20,000 hour + mtbf

**ELECTRIC / CONTROLS:**

- 90/250/1/50-60 (**120v or 240v plug**)
- Digital display with variable speed blower
- Pre-wired 3 wire power cable, 9 ft. with plug
- Digital Controls
  - Electronic variable speed blower control
  - High visibility LED filter indicator
- Calibrated electronic VOC gas sensor
- Electronic digital interface relay for filter monitoring
- Amp Draw: 6.0 (120v) / 4.0 (240v)

**STANDARD EQUIPMENT:**

- UL, ULC and CE/TUV compliance available
- 5 ft. 2-ply ribbed rubber hose
- **1 x 2" inlet, 1 x 3" inlet or 2 x 2"** inlet diameter hose with clamps
- Digital graphic controls
- (4) Industrial grade wheels
- Installation guide / Operations manual

**STANDARD FILTER SET:**

- 2" - Pre-Filters:
  - Polyester pre-filter
- 12" - High Odor Gas / Carbon Filter:
  - Large Capacity filter with 20 lbs. of activated carbon
  - Provides broad spectrum gas/odor control
  - Dustless construction suitable for all environments
  - Bonded carbon technology maximizes one pass efficiency
  - 100 % recyclable construction

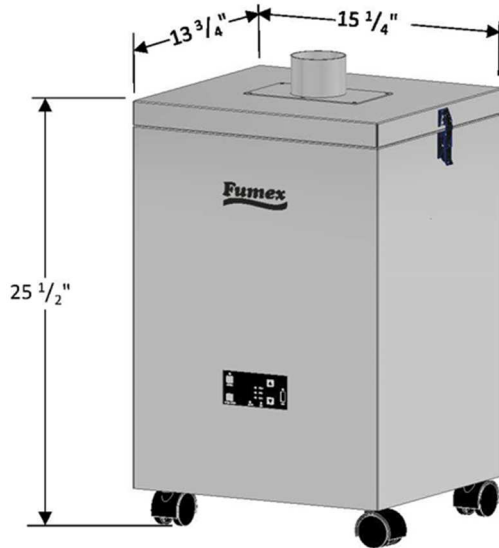


**MADE IN THE USA**

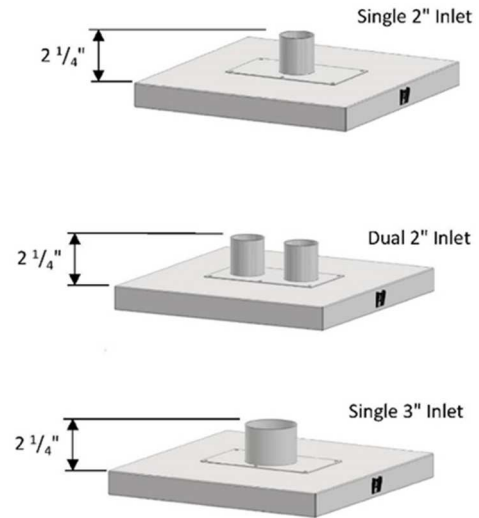
**FUMEX**  
1150 Cobb International Place  
Kennesaw, GA 30152  
800-432-7550 | 770-514-7907

ADDITIONAL TECHNICAL DATA

**DIMENSIONS**



**INLET OPTIONS**



**DIGITAL CONTROLS**



- **OSHA compliance** programmable via USB port pressure set points, blower speeds, and VOC detection

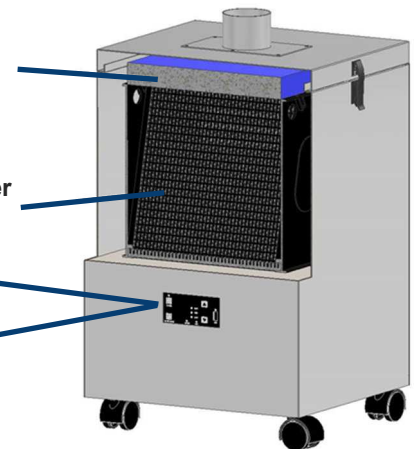
- **High visibility LED display** indicating blower speed, filter, and unit system status
- **System Data logging:** monitoring blower usage, filter service intervals accessed by USB port

**FUMEX FILTER SYSTEM**

**Polyester Pre-Filter (FX7)**

**Activated Carbon Filter (FX1)**

**Digital Display**



**OPTIONAL CAPTURE ARMS & HOODS**



**SPECIALIZED APPLICATION ACCESSORIES**

