

The **FA1 Mini Dust Collector** manufactured by Fumex, Inc., utilizes a high-performance blower and a 4-stage hybrid filter system to capture and remove dust and particulates generated in many applications and processes. Two large capacity prefilters protect the systems **HEPA** and gas/odor filters, providing a cost-effective and efficient dust collection system. Ideal for a variety of light duty applications

- Laser Cutting
- 3D Printing
- Pharmaceutical & Medical
- Electronic Soldering
- Mechanical Engineering
- Beauty
- Laser Printing
- Dental Lab
- And Many More



**CONSTRUCTION:**

- Cabinet: 16 ga. welded steel, powder coat finish
- Baffled – sound attenuated
- Sound Level: 55 dbA
- Weight: 60 lbs.

**BLOWERS:**

- Performance: **165 cfm @ 19" wc**
- Variable speed blower
- Centrifugal - direct-drive, brushless motor
- Rated 20,000 hour + mtbf

**ELECTRIC / CONTROLS:**

- 90/250/1/50-60 (**120v or 240v plug**)
- Digital display with variable speed blower
- Pre-wired 3 wire power cable, 9 ft. with plug
- Digital Controls
  - Electronic variable speed blower control
  - High visibility LED filter indicator
- Calibrated electronic VOC gas sensor
- Electronic interface relay for filter monitoring
- Amp Draw: 6.0 (120v) / 4.0 (240v)

**STANDARD EQUIPMENT:**

- UL, ULC and CE/TUV compliance available
- 5 ft. 2-ply ribbed rubber hose
- **1 x 2", 1 x 3" or 2 x 2"** inlet dia. hose options w/clamps
- Digital graphic controls
- (4) Industrial grade wheels
- Installation guide / Operations manual

**STANDARD FILTER SET:**

- 3" - Pre-Filters:
  - 1 - Polyester filter
  - 1- Deep-pleated 85% efficient MERV 11 panel filter
- 2" - HEPA Filter:
  - 99.97% efficient @ 0.3 micron
- 2" - Gas / Odor Filter
  - Provides broad spectrum gas/odor control
  - Dustless construction suitable for all environments
  - Bonded carbon tech maximizes one pass efficiency
  - 100 % recyclable construction

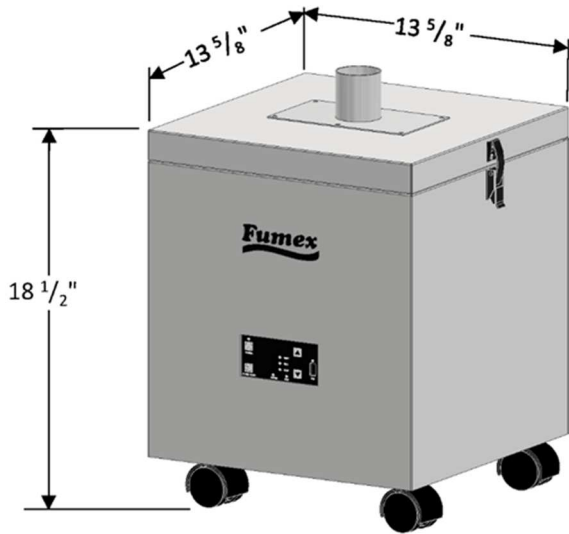


MADE IN THE USA

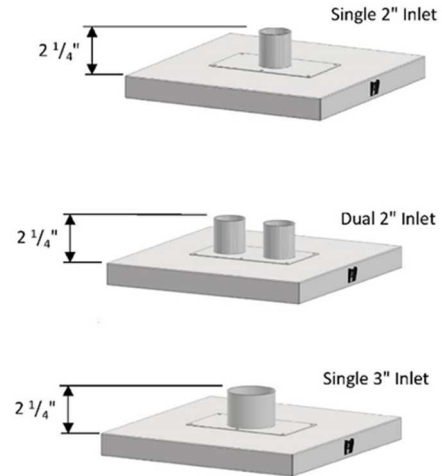
FUMEX, Inc.  
1150 Cobb International Place  
Kennesaw, GA 30152  
800-432-7550 | 770-514-7907

ADDITIONAL TECHNICAL DATA

**DIMENSIONS**



**INLET OPTIONS**



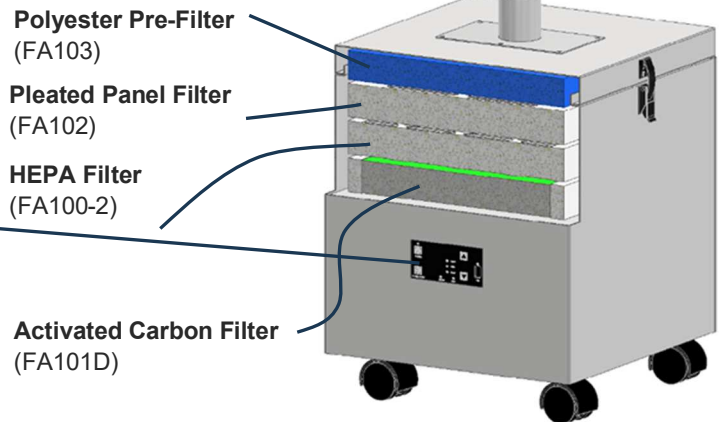
**DIGITAL CONTROLS**



• **OSHA compliant!**  
Programable via USB port pressure set points, blower speeds, and VOC detection.

- **High visibility LED display** indicating blower speed, filter, and unit system status.
- **System Data logging:** monitoring blower usage, filter service intervals accessed by USB port

**FUMEX FILTER SYSTEM**



**OPTIONAL CAPTURE ARMS & HOODS**



**SPECIALIZED APPLICATION ACCESSORIES**

