

The **Fumex FA2-E** fume extractor utilizes a high performance 3 stage hybrid air filter system to capture and treat air pollutants generated during laser engraving processes. Friendly digital controls and integrated electronic gas sensor continuously monitor the system performance and display operating parameters on the high-visibility LED screen. Large capacity inexpensive pre-filters extend filter change intervals and protects the large HEPA filter and gas/odor filter offering an extremely cost-effective, efficient laser engraver fume extractor system. High performance variable speed blower provides maximum application flexibility. Ideal for medium to heavy duty laser engraving applications.

- Laser Cutting**
- Electronic Soldering**
- Laser Printing**
- 3D Printing**
- Mechanical Engineering**
- Dental Lab**
- Pharmaceutical & Medical**
- Beauty**
- And Many More**



CONSTRUCTION:

- Cabinet: 304 grade Brushed stainless steel to IP56 compliance
- Baffled – sound attenuated
- Sound Level: 60 dbA
- Weight: 110 lbs. / 46kg.

BLOWERS:

- Performance: **266 cfm @ 39" wc**
- Variable speed blower
- Centrifugal - direct-drive, brushless motor
- Rated 20,000 hour + mtbf

ELECTRIC / CONTROLS:

- 90/250/1/50-60 (**120v or 240v plug**)
- Digital display with variable speed blower
- Pre-wired 3 wire power cable, 9 ft. with plug
- Digital Controls
 - Electronic variable speed blower control
 - Electronic individual filter monitoring with display
- Calibrated electronic VOC gas sensor
- Electronic interface relay for filter monitoring
- Amp Draw: 12.0 (120v) / 7.5 (240v)

STANDARD EQUIPMENT:

- UL, ULC and CE/TUV compliance available
- 8 ft. 2-ply ribbed rubber hose
- **2", 3" or 4" inlet** diameter hose options w/clamps
- Digital graphic controls
- (4) Industrial grade wheels - two locking
- Installation guide / Operations manual

STANDARD FILTER SET:

- 10" - Pre-Filters:
 - Large capacity box style
 - 99% efficient @ 1.0 micron
 - Deep-pleated dimpled media
- 6" - HEPA Filter:
 - 99.97% efficient @ 0.3 micron
- 6" - Gas / Odor Filter
 - Large capacity gas/odor filter
 - Provides broad spectrum gas/odor control
 - Dustless construction suitable for all environments
 - Bonded carbon technology maximizes one pass efficiency

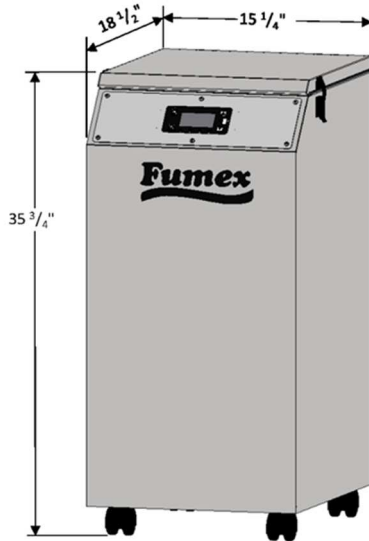


MADE IN THE USA

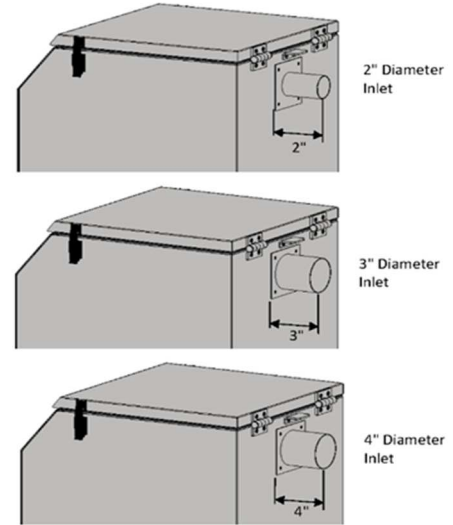
FUMEX
1150 Cobb International Place
Kennesaw, GA 30152
800-432-7550 | 770-514-7907

ADDITIONAL TECHNICAL DATA

DIMENSIONS



INLET OPTIONS



DIGITAL CONTROLS



- **OSHA compliance** programmable via USB port pressure set points, blower speeds, and VOC detection

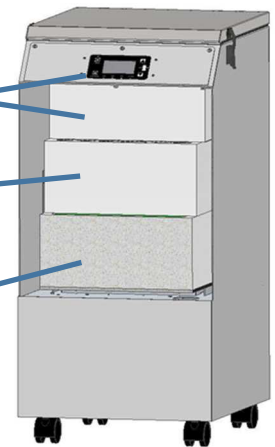
- **High visibility Graphic display** indicating blower speed, filter, and unit system status
- **System Data logging:** monitoring blower usage, filter service intervals accessed by USB port

FUMEX FILTER SYSTEM

Large Capacity Pre-Filter
(FA140B-2)

HEPA Filter
(FA100)

Activated Carbon Gas / Odor Filter
(FA201D)



OPTIONAL CAPTURE ARMS & HOODS



SPECIALIZED APPLICATION ACCESSORIES

