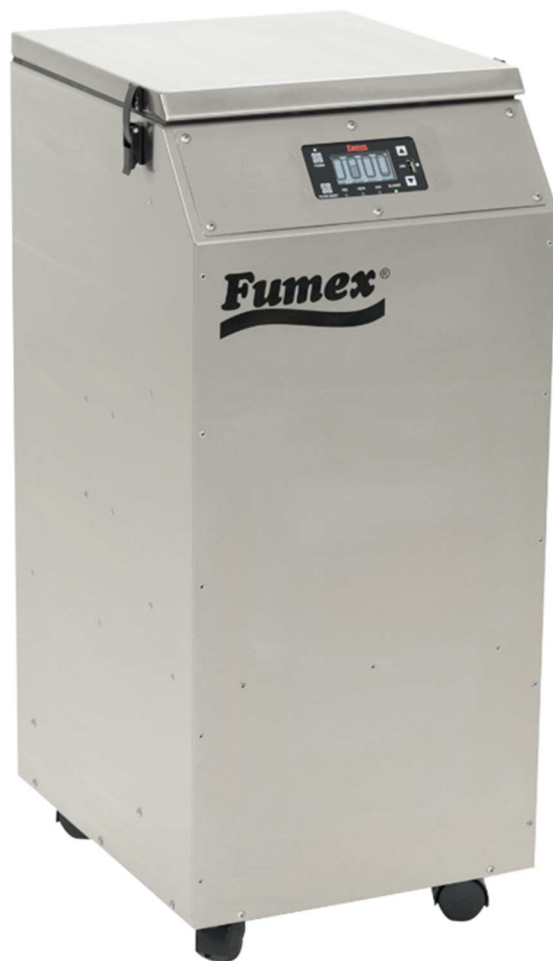


The **Fumex FA2-PVC** laser fume extractor is specifically designed to capture and treat the potentially hazardous fumes generated in application where PVC is marked or cut with a laser or thermoformed or heated.

**Epoxy Coating** - The system utilizes a high build epoxy novolac coating on all internal components. The material provides superior corrosion resistance to HCL and other acid gases. Prior to application the cabinets are prepped with a sandblasting to SSSP10 and all seams are caulked. Two (2) coats of the epoxy are applied to a DFT of 4 mils.

**HCL Sensor** - The extractor features continuous gas detector for the detection of a Hydrogen Chloride breakthrough. The HCL gas sensor is a complete self-contained gas monitor consisting of an integral 115VAC power supply and factory pre-set solid-state relay alarm for activating a panel-warning lamp. The system features microprocessor electronics that set the gas curves for HCL detection.

- Laser Cutting**
- Electronic Soldering**
- Laser Printing**
- 3D Printing**
- Mechanical Engineering**
- Dental Lab**
- Pharmaceutical & Medical**
- Beauty**
- And Many More**



**CONSTRUCTION:**

- Cabinet: 304 grade Brushed stainless steel to IP56 compliance
- Epoxy coating (2) coats all internal parts
- Sound Level: 60 dbA ● Weight: 101 lbs. / 45 kg

**BLOWERS:**

- Performance: **266 cfm @ 39" wc**
- Variable speed blower
- Centrifugal - direct-drive, brushless motor
- Rated 20,000 hour + mtbf

**ELECTRIC / CONTROLS:**

- 90/250/1/50-60 (**120v or 240v plug**)
- Digital display with variable speed blower
- Pre-wired 3 wire power cable, 9 ft. with plug
- Digital Controls
  - Electronic variable speed blower control
  - Electronic individual filter monitoring with display
- Calibrated electronic VOC gas sensor
- Electronic interface relay for filter monitoring
- Amp Draw: 12.0 (120v) / 7.5 (240v)

**STANDARD EQUIPMENT:**

- UL, ULC and CE/TUV compliance available
- 8 ft. 2-ply ribbed rubber hose
- **2", 3" or 4" inlet** diameter hose options w/clamps
- Digital graphic controls
- (4) Industrial grade wheels - two locking
- Installation guide / Operations manual

**STANDARD FILTER SET:**

- 10" - Pre-Filters:
  - Large capacity box style
  - 99% efficient @ 1.0 micron
  - Deep-pleated dimpled media
- 6" - HEPA Filter:
  - 99.97% efficient @ 0.3 micron
- 6" - AcideX Cell (for PVC applications) Odor Filter:
  - Large capacity
  - Provides broad spectrum gas/odor control
  - Bonded carbon technology maximizes one pass efficiency

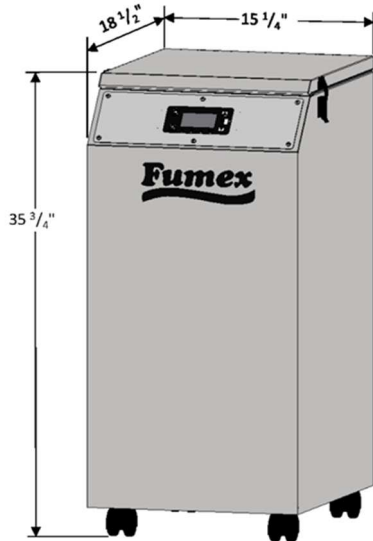


**MADE IN THE USA**

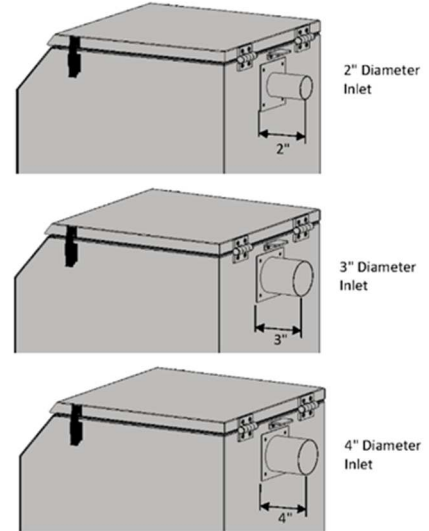
**FUMEX**  
1150 Cobb International Place  
Kennesaw, GA 30152  
800-432-7550 | 770-514-7907

ADDITIONAL TECHNICAL DATA

**DIMENSIONS**



**INLET OPTIONS**



**DIGITAL CONTROLS**



- OSHA compliance programmable via USB port pressure set points, blower speeds, and VOC detection

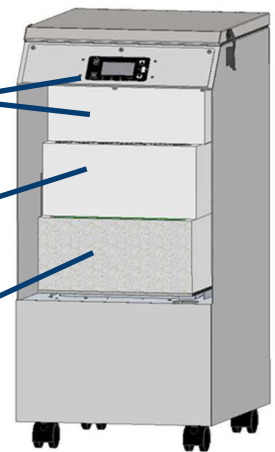
- High visibility Graphic display indicating blower speed, filter, and unit system status
- System Data logging: monitoring blower usage, filter service intervals accessed by USB port

**FUMEX FILTER SYSTEM**

Large Capacity Pre-Filter (FA140B-2)

HEPA Filter (FA100)

AcideX Cell \*for PVC Applications\* (FA201E)



**OPTIONAL CAPTURE ARMS & HOODS**



**SPECIALIZED APPLICATION ACCESSORIES**

