

The **Fumex FA2 fume extractor** utilizes a high performance 3 stage hybrid air filter system to capture and treat air pollutants generated during laser engraving processes. Operator friendly digital controls and integrated electronic gas sensor continuously monitor the system performance and display operating parameters on the high-visibility LED screen. Large capacity inexpensive pre-filters extend filter change intervals and protects the large HEPA filter and gas/odor filter offering an extremely cost-effective, efficient laser engraver fume extractor system. High performance variable speed blower provides maximum application flexibility. Ideal for medium to heavy duty laser engraving applications.

- Laser Cutting**
- Electronic Soldering**
- Laser Printing**
- 3D Printing**
- Mechanical Engineering**
- Dental Lab**
- Pharmaceutical & Medical**
- Beauty**
- And Many More**



**CONSTRUCTION:**

- Cabinet: 304 grade Brushed stainless steel to IP56 compliance
- Baffled – sound attenuated
- Sound Level: 60 dbA
- Weight: 110 lbs. / 46kg.

**BLOWERS:**

- Performance: **266 cfm @ 39" wc**
- Variable speed blower
- Centrifugal - direct-drive, brushless motor
- Rated 20,000 hour + mtbf

**ELECTRIC / CONTROLS:**

- 90/250/1/50-60 (**120v or 240v plug**)
- Digital display with variable speed blower
- Pre-wired 3 wire power cable, 9 ft. with plug
- Digital Controls
  - Electronic variable speed blower control
  - Electronic individual filter monitoring with display
- Calibrated electronic VOC gas sensor
- Electronic interface relay for filter monitoring
- Amp Draw: 12.0 (120v) / 7.5 (240v)

**STANDARD EQUIPMENT:**

- UL, ULC and CE/TUV compliance available
- 8 ft. 2-ply ribbed rubber hose
- **2", 3" or 4" inlet** diameter hose options w/clamps
- Digital graphic controls
- (4) Industrial grade wheels - two locking
- Installation guide / Operations manual

**STANDARD FILTER SET:**

- 10" - Pre-Filters:
  - Large capacity box style
  - 99% efficient @ 1.0 micron
  - Deep-pleated dimpled media
- 6" - HEPA Filter:
  - 99.97% efficient @ 0.3 micron
- 6" - Gas / Odor Filter
  - Large capacity gas/odor filter
  - Provides broad spectrum gas/odor control
  - Dustless construction suitable for all environments
  - Bonded carbon technology maximizes one pass efficiency

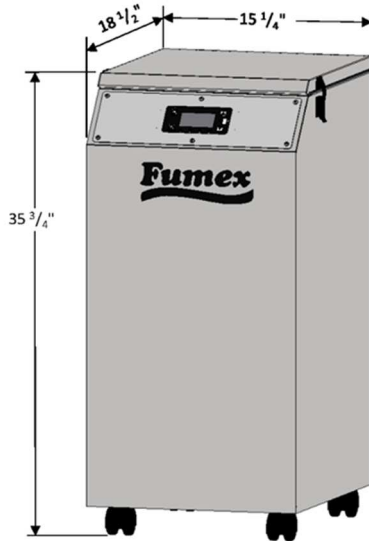


**MADE IN THE USA**

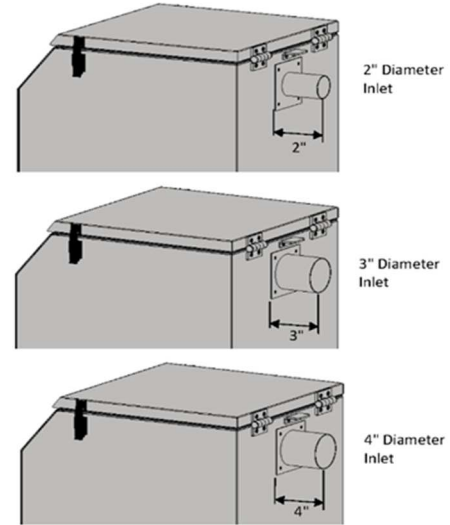
**FUMEX**  
1150 Cobb International Place  
Kennesaw, GA 30152  
800-432-7550 | 770-514-7907

ADDITIONAL TECHNICAL DATA

**DIMENSIONS**



**INLET OPTIONS**



**DIGITAL CONTROLS**



- **OSHA compliance** programmable via USB port pressure set points, blower speeds, and VOC detection

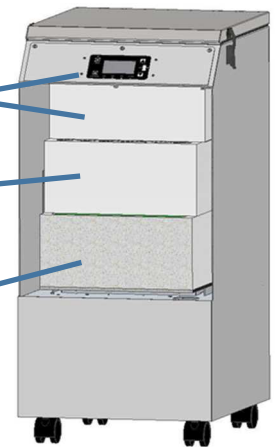
- **High visibility Graphic display** indicating blower speed, filter, and unit system status
- **System Data logging:** monitoring blower usage, filter service intervals accessed by USB port

**FUMEX FILTER SYSTEM**

**Large Capacity Pre-Filter**  
(FA140B-2)

**HEPA Filter**  
(FA100)

**Activated Carbon Gas / Odor Filter**  
(FA201D)



**OPTIONAL CAPTURE ARMS & HOODS**



**SPECIALIZED APPLICATION ACCESSORIES**

