

The **GS1-100 Fumes Extractor** manufactured by Fumex, utilizes a powerful high-performance blower, user friendly digital controls, an integrated gas sensor and a large capacity filter, to effectively capture and eliminate plastic fumes, chemical fumes, odors, and gaseous contaminants. System can be fitted with a large variety of broad spectrum or chemical specific filters. Applications include inkjet fume removal, gluing stations, solvent fume removal, chemical baths, and laboratory use. Powerful, quiet fume extraction and a small footprint allows for easy integration into most work environments.

- Inkjet Printing
 - 3D Printing
 - Solvents
- Gluing Stations
 - Copier | Printing Rooms
 - Chemical Baths
- Laboratory
 - Photography Labs
 - Beauty | Nail Salons



CONSTRUCTION:

- Cabinet: 16 ga. welded steel, powder coat finish
- Baffled – sound attenuated
- Sound Level: 55 dbA
- Weight: 60 lbs. / 27.2 kg.

BLOWERS:

- Performance: **165 cfm @ 19" wc**
- Digital display with variable speed blower
- Centrifugal - direct-drive, brushless motor
- Rated 20,000 hour + mtbf

ELECTRIC / CONTROLS:

- Performance: **90/250/1/50-60 (120v or 240v plug)**
- Digital display with variable speed blower
- Pre-wired 3 wire power cable, 9 ft. with plug
- Digital Controls
 - Electronic variable speed blower control
 - High visibility LED filter indicator
- Calibrated electronic VOC gas sensor
- Electronic digital interface relay for filter monitoring
- Amp Draw: 6.0 (120v) / 4 (240v)

STANDARD EQUIPMENT:

- UL, ULC and CE/TUV compliance available
- 5 ft. 2-ply ribbed rubber hose
- **1 x 2" inlet, 1 x 3" inlet or 2 x 2"** inlet diameter hose with clamps
- Digital graphic controls
- (4) Industrial grade wheels
- Installation guide / Operations manual

STANDARD FILTER SET:

- 1" - Pre-Filters:
 - Polyester pre-filter
- 6" - High Odor Gas / Carbon Filter:
 - Large Capacity filter with 15 lbs. of activated carbon
 - Provides broad spectrum gas/odor control
 - Dustless construction suitable for all environments
 - Bonded carbon technology maximizes one pass efficiency
 - 100 % recyclable construction

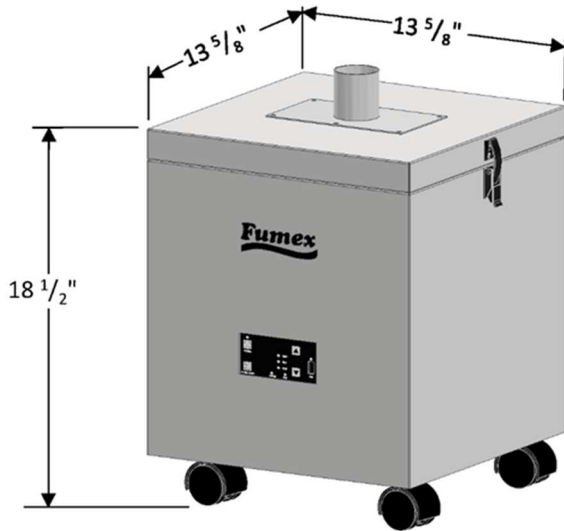


MADE IN THE USA

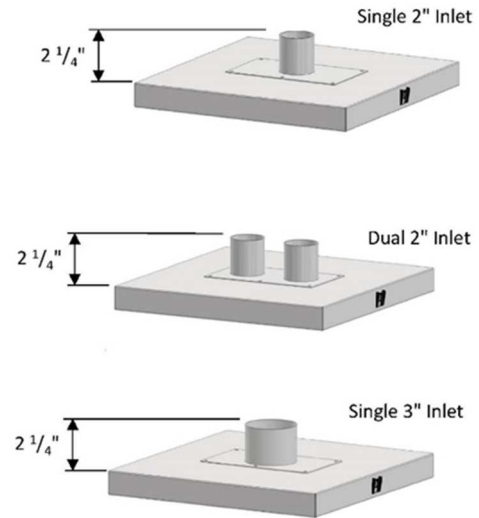
FUMEX
1150 Cobb International Place
Kennesaw, GA 30152
800-432-7550 | 770-514-7907

ADDITIONAL TECHNICAL DATA

DIMENSIONS



INLET OPTIONS



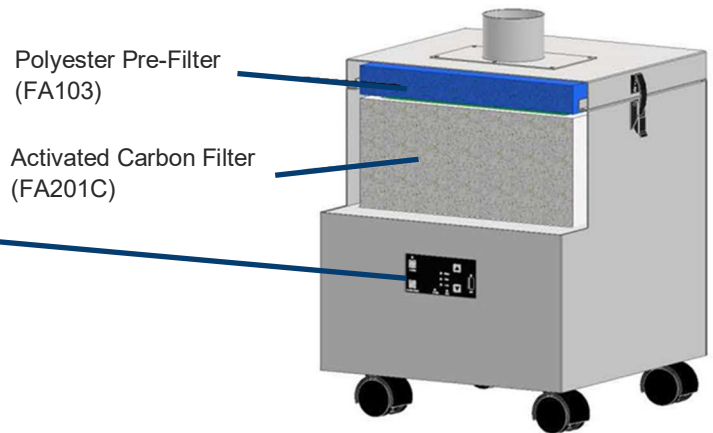
DIGITAL CONTROLS



- **OSHA compliance** programmable via USB port pressure set points, blower speeds, and VOC detection

- **High visibility LED display** indicating blower speed, filter, and unit system status
- **System Data logging:** monitoring blower usage, filter service intervals accessed by USB port

FUMEX FILTER SYSTEM



OPTIONAL CAPTURE ARMS & HOODS



SPECIALIZED APPLICATION ACCESSORIES

