

The GS1-100 Fumes Extractor manufactured by Fumex, utilizes a powerful high-performance blower, user friendly digital controls, an integrated gas sensor and a large capacity filter, to effectively capture and eliminate plastic fumes, chemical fumes, odors, and gaseous contaminants. System can be fitted with a large variety of broad spectrum or chemical specific filters. Applications include inkjet fume removal, gluing stations, solvent fume removal, chemical baths, and laboratory use. Powerful, quiet fume extraction and a small footprint allows for easy integration into most work environments.



Inkjet  
Printing



Gluing  
Stations



Laboratory



3D Printing



Copier |  
Printing Rooms



Photography  
Labs



Solvents



Chemical  
Baths



Beauty |  
Nail Salons



### Construction:

- Cabinet: 16 ga. welded steel, powder coat finish
- Baffled - sound attenuated
- Sound Level: 55 dbA
- Weight: 60 lbs.

### Blowers:

- Performance: 165 cfm @ 19" wc
- Variable speed blower
- Centrifugal - direct-drive, brushless motor
- Rated 20,000 hour + mtbf

### Electrics/Controls:

- 90/250/1/50-60 (120v or 240v plug)
- Digital display with variable speed blower
- Pre-wired 3 wire power cable, 9 ft. with plug
- Digital Controls
  - Electronic variable speed blower control
  - High visibility LED filter indicator
- Calibrated electronic VOC gas sensor
- Electronic digital interface relay for two-way communication, filter monitoring and remote start/stop control
- Amp Draw: 6.0 (120v) or 4.0 (240v)

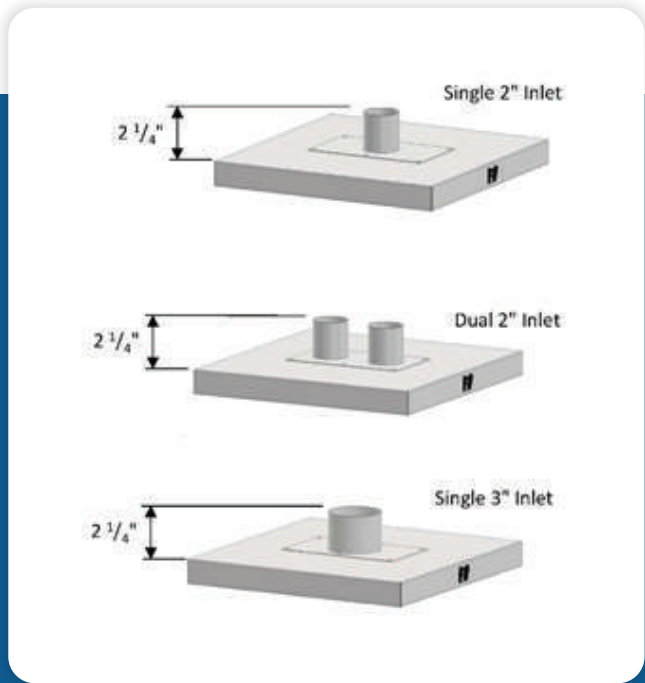
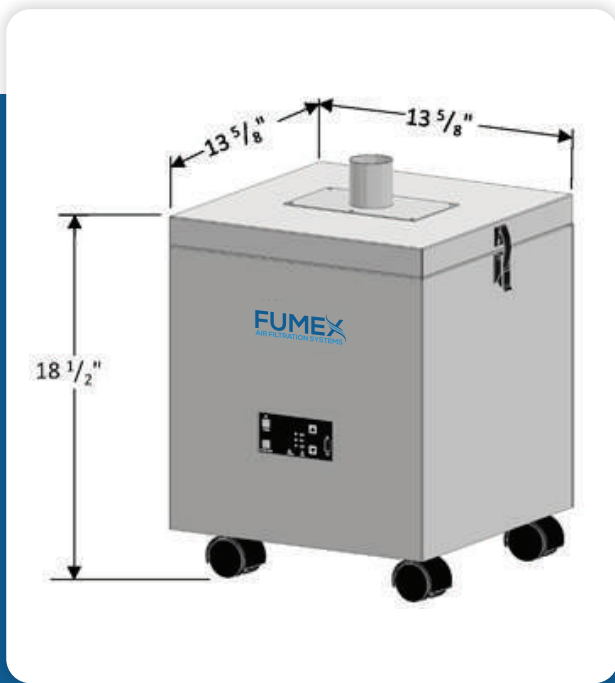
### Standard Equipment:

- UL, ULC and CE/TUV compliance available
- 5 ft. 2-ply ribbed rubber hose
- 1 x 2" inlet, 1 x 3" inlet or 2 x 2" inlet diameter hose with clamps
- Digital graphic controls
- (4) Industrial grade wheels
- Installation guide / Operations manual

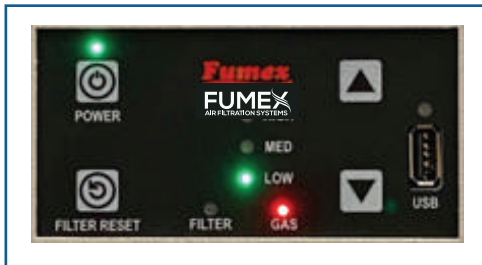
### Standard Filter Set:

- 1" Pre-Filter:
  - Polyester pre-filter
- 6" - High Odor Gas / Carbon Filter
  - Large Capacity filter with 15 lbs. of activated carbon
  - Provides broad spectrum gas/odor control
  - Dustless construction suitable for all environments
  - Bonded carbon technology maximizes one pass efficiency
  - 100 % recyclable construction

# TECHNICAL DATA

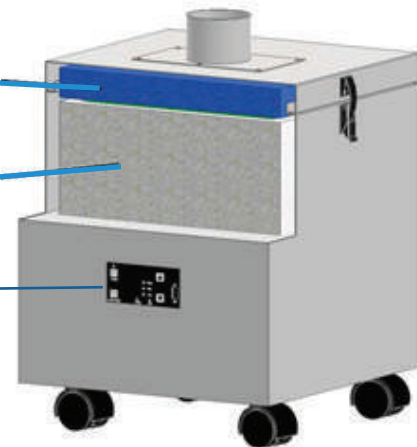


- ▶ Programmable via USB port pressure set points, blower speeds, and VOC detection
- ▶ High visibility Graphic display indicating blower speed, filter, and unit system status
- ▶ System Data logging: monitoring blower usage, filter service intervals accessed by USB port



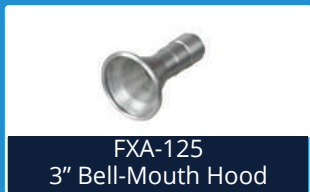
Polyester Pre-Filter (FA103)

Activated Carbon Filter (FA201C)



## FUMEX ACCESSORIES

### Source Capture Hoods



### Source Capture Arms

