

The FA1 Mini Dust Collector manufactured by Fumex, Inc., utilizes a high-performance blower and a 4-stage hybrid filter system to capture and remove dust and particulates generated in many applications and processes. Two large capacity prefilters protect the systems HEPA and gas/odor filters providing a cost-effective, efficient dust collection system. Ideal for a variety of light duty applications



Laser



Electronics



Printing



3D Printing



Mechanical  
Engineering



Dental



Pharmaceutical  
& Medical



Beauty



Other



### Construction:

- Cabinet: 16 ga. welded steel, powder coat finish
- Baffled – sound attenuated
- Sound Level: 55 dbA
- Weight: 60 lbs.

### Blowers:

- Performance: 165 cfm @ 19" wc
- Variable speed blower
- Centrifugal - direct-drive, brushless motor
- Rated 20,000 hour + mtbf

### Electrics/Controls:

- 90/250/1/50-60 (120v or 240v plug)
- Digital display with variable speed blower
- Pre-wired 3 wire power cable, 9 ft. with plug
- Digital Controls
  - Electronic variable speed blower control
  - High visibility LED filter indicator
- Calibrated electronic VOC gas sensor
- Electronic digital interface relay for two-way communication, filter monitoring and remote start/stop control
- Amp Draw: 6.0 (120v) or 4.0 (240v)

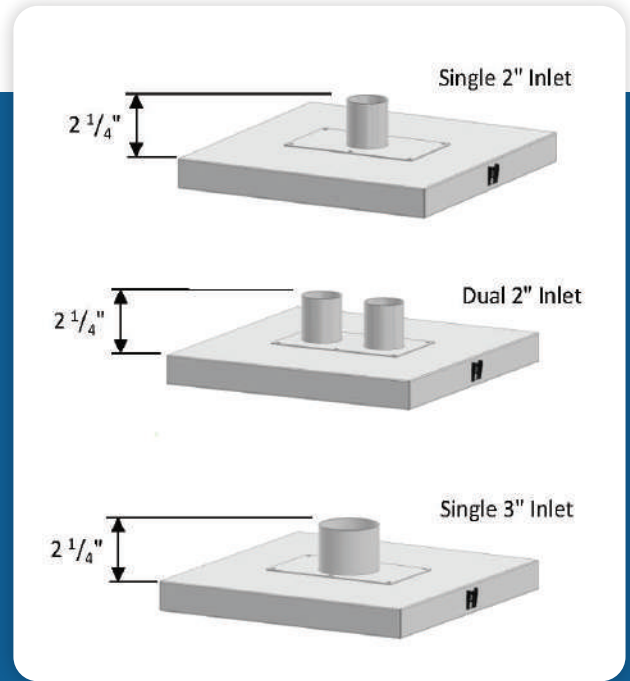
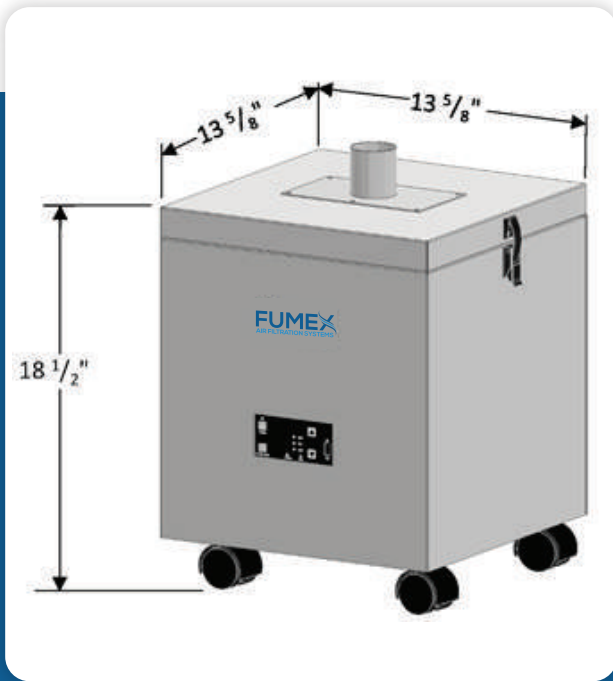
### Standard Equipment:

- UL, ULC and CE/TUV compliance available
- 5 ft. 2-ply ribbed rubber hose
- 1 x 2" inlet, 1 x 3" inlet or 2 x 2" inlet diameter hose with clamps
- Digital graphic controls
- (4) Industrial grade wheels
- Installation guide / Operations manual

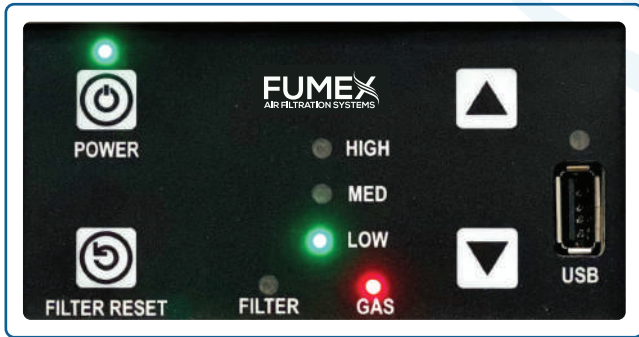
### Standard Filter Set:

- 3" - Pre-Filters:
  - 1 - Polyester filter
  - 1 - Deep-pleated 85% efficient MERV 11 panel filter
- 2" - HEPA Filter:
  - 99.97% efficient @ 0.3 micron
- 2" - Gas / Odor Filter
  - Provides broad spectrum gas/odor control
  - Dustless construction suitable for all environments
  - Bonded carbon technology maximizes one pass efficiency
  - 100 % recyclable construction

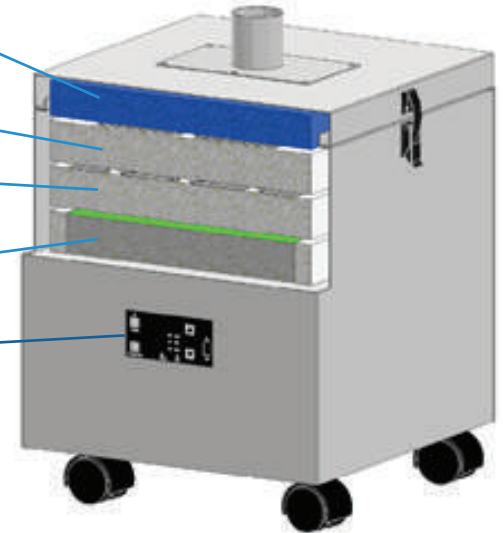
# TECHNICAL DATA



- ▶ Programable via USB port pressure set points, blower speeds, and VOC detection
- ▶ High visibility LED display indicating blower speed, filter, and unit system status
- ▶ System Data logging: monitoring blower usage, filter service intervals accessed by USB port



- Polyester Pre-Filter (FA103)
- Pleated Panel Filter (FA102)
- HEPA Filter (FA100-2)
- Activated Carbon Filter (FA101D)



## Source Capture Arms and Hoods



## Additional Application Accessories

