

The Fumex FA152 Integrated Spark Arrestor is designed for use in applications where hot, burning particulates have the potential to enter the Fumex FA1 extraction units. The FA152 is compact, easy to maintain and simply installs directly onto the FA1 cabinet. Unique design eliminates the need for additional hose and does not increase systems footprint. The FA152 is easily retrofitted into existing FA1 units.



Laser  
Welding



Laser  
Cutting



Soldering



Grinding



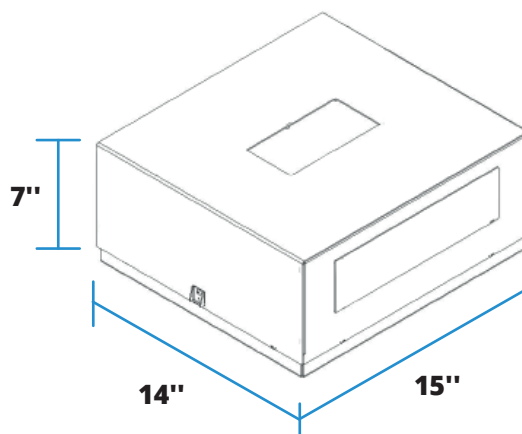
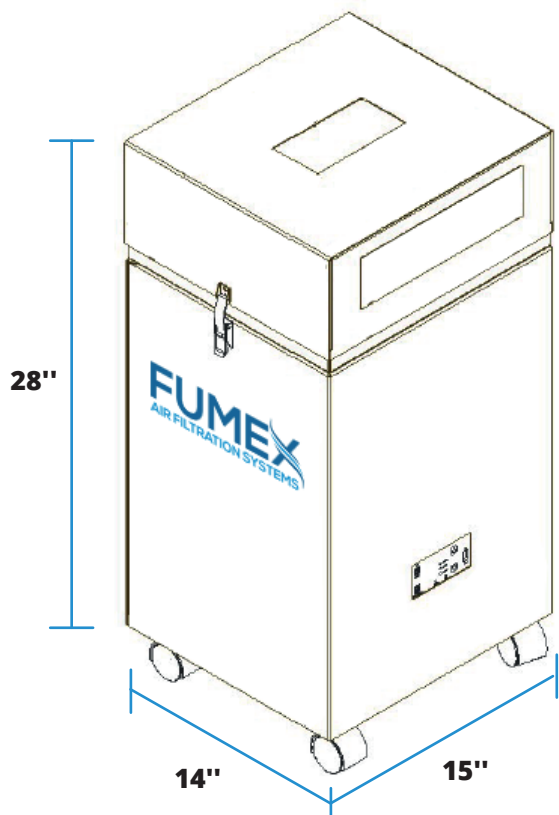
Welding



Deep  
Engraving



Plastic  
Processing



### Construction:

- Cabinet: 16 ga. welded steel, powder coat finish.
- Weight: 20 lbs.

### Installation:

- Inlets marked.
- No additional equipment needed.

### Features:

- Easy to install and maintain.
- 2", 3", or 4" Inlet option

### Maintenance:

- Clean/Inspect monthly, based on usage.

TERMS: Net 30 days with approved credit  
FOB POINT: ennesaw (Atlanta), GA

### FUMEX

1150 Cobb International Place Kennesaw, GA 30152  
770-514-7907 • 800-432-7550 (toll)  
[www.fumexinc.com](http://www.fumexinc.com)